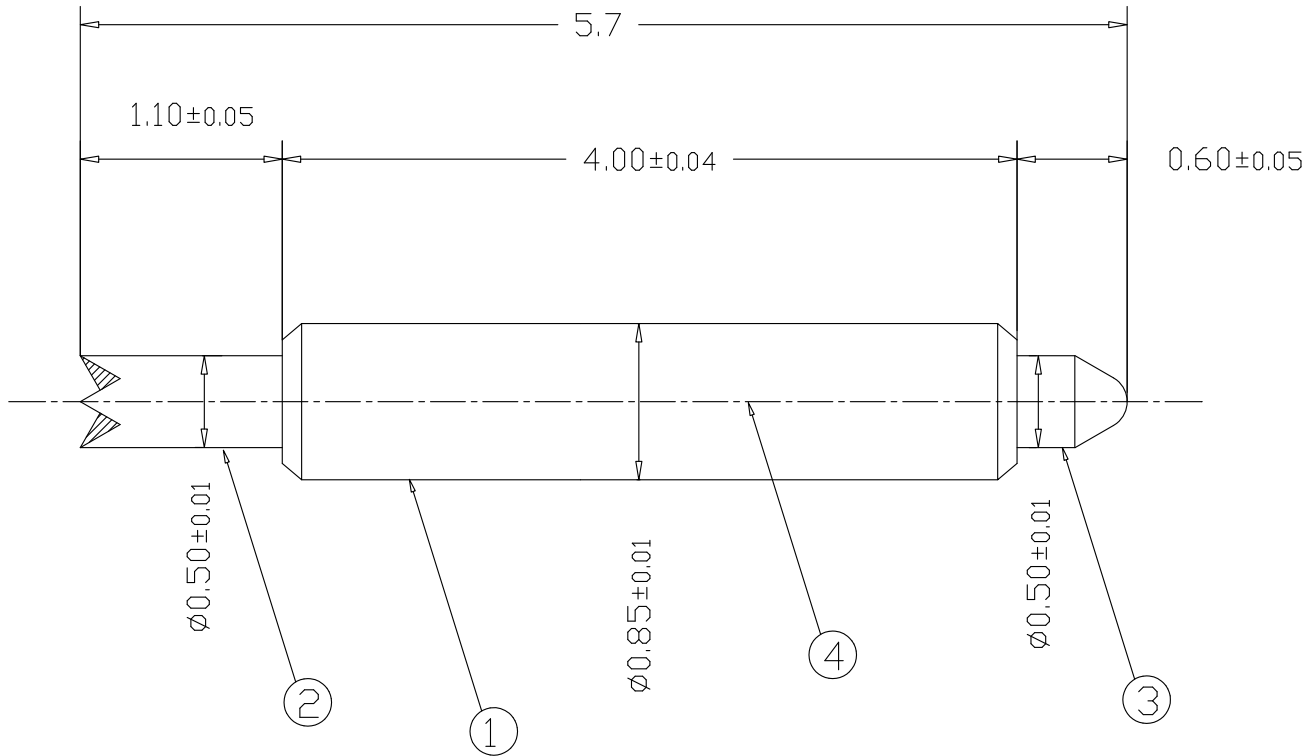


ITEM	PART NO	DESCRIPTION	MATERIAL	PLATING
①	SBY5.7AB-B	BARREL	BS	Au
②	SBY5.7AB-PA	PLUNGER A	BeCu	HARDENING Au
③	SBY5.7AB-PB	PLUNGER B	BeCu	HARDENING Au
④	SBY5.7AB-S	SPRING	SWP	Au

MARK	DESCRIPTION OF REVISION	DATE	NAME
△			



(Note)

1. Full Working Travel : 1.2 mm.
2. Spring force ; 30g. \pm 6% (@0.8 mm.)

DESIGNED Yoshida	TITLE ASSEMBLY DRAWING		
CHECKED	SIZE A4	DWG NO. SBY5.7AB	△
APPROVED S.Izumi	SCALE Link-MicRo' Co., Ltd.		
DRAWN 2005.08.26			