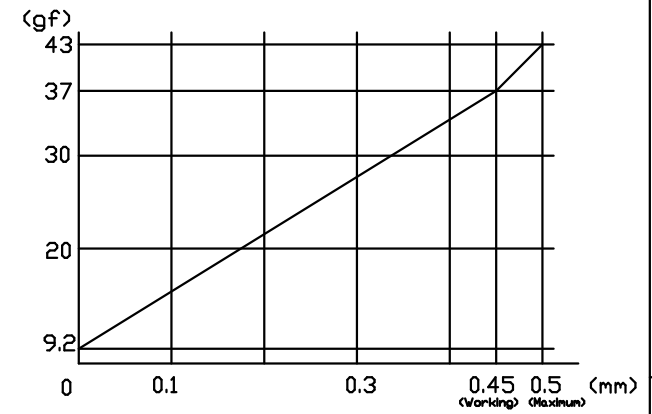
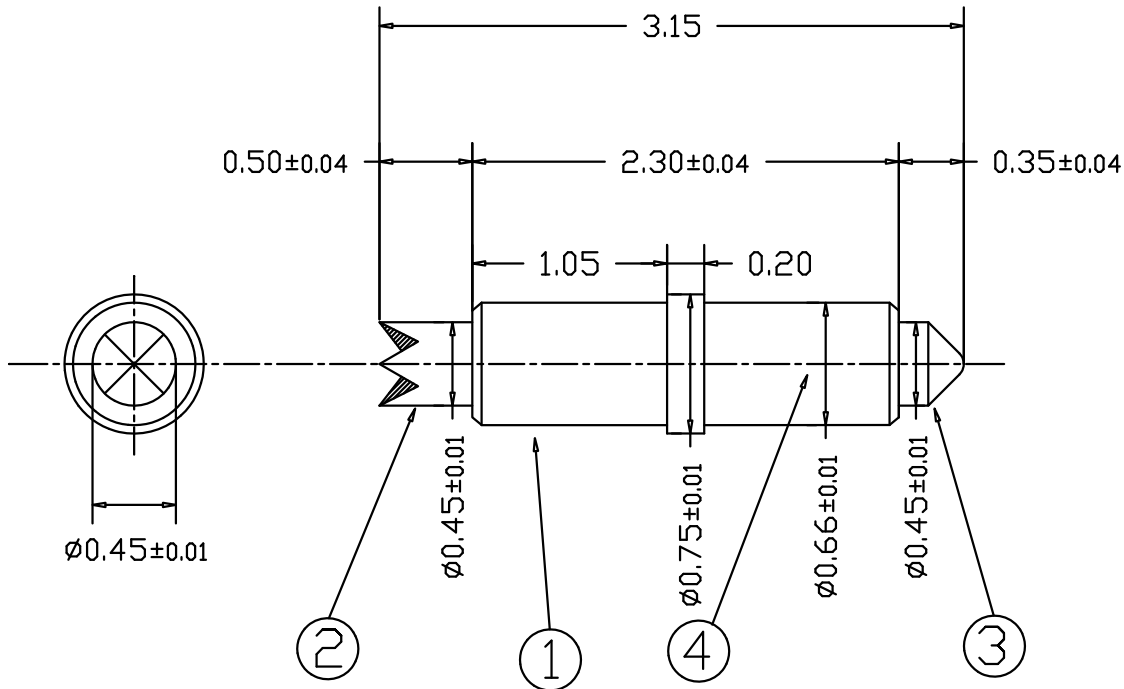


ITEM	PART NO	DESCRIPTION	MATERIAL	PLATING
①	SBY3.15DD-B-R1	BARREL	PBT	Au
②	SBY3.15DD-PA-R2	PLUNGER A	SK-4	Silvaco
③	SBY3.15DD-PB-R2	PLUNGER B	BeCu	HARDENING Au
④	SBY3.15DDH-SP-R2	SPRING	For High temp	Au
MARK	DESCRIPTION OF REVISION		DATE	NAME



(Note)

1. Max Stroke 0.53 mm.
2. Recommended Contact force : 37gf at 0.45mm

DESIGNED	TITLE		
CHECKED	ASSEMBLY DRAWING		
APPROVED	SIZE	DWG NO.	△
S.Izumi	A4	SBY3.15DDH	
DRAWN	SCALE	Link-MicRo' Co.,Ltd..	
2005.10.18			