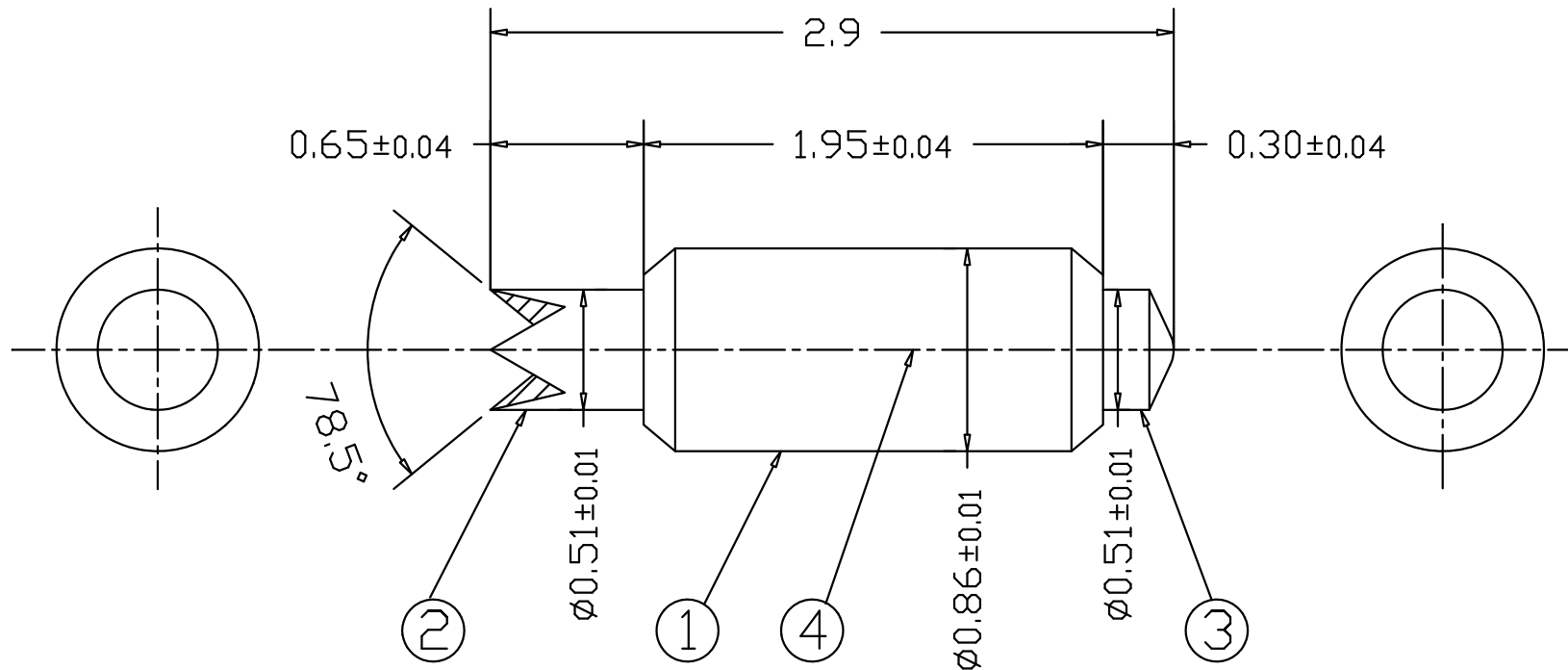
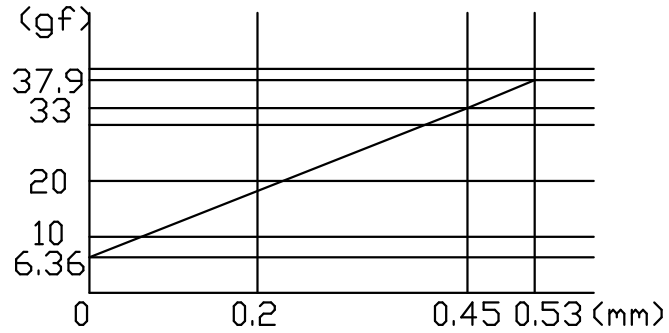


ITEM	PART NO	DESCRIPTION	MATERIAL	PLATING
①	SBY2.9BB-B	BARREL	BS	Au
②	SBY2.9BC-PA	PLUNGER A	SK	Au
③	SBY2.9BB-PB-R1	PLUNGER B	BeCu	Au
④	SBY2.9BBH-S	SPRING	SWP	Au
MARK	DESCRIPTION OF REVISION		DATE	NAME



(Note)

- Spring force : 33gf±5gf @ 0.45mm, working stroke
- Max Stroke : 0.53mm
- Cross Cut Crown : Cutter Angle 60 degree
- Allowable temp limit : 150 degrees C
- CRES; Below 100mohm, Mechanical Life; Over 300K cycles
- Plating ; Ni: BARREL,PA,PB 2.0 μ 以上 ;  
Au: PA 2.0 μ 以上 ; BARREL,PB 1.0 μ 以上

DESIGNED T.Ohno	TITLE ASSEMBLY DRAWING		
CHECKED	SIZE A4	DWG NO. SBY2.9BCH	△
APPROVED S.Izumi	SCALE		
DRAWN 2007.04.05	Link-MicRo' Co.,Ltd..		