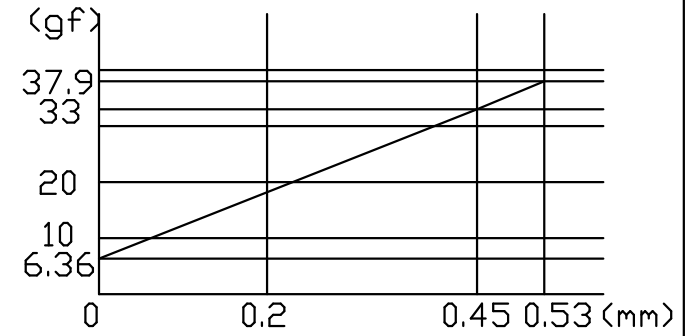
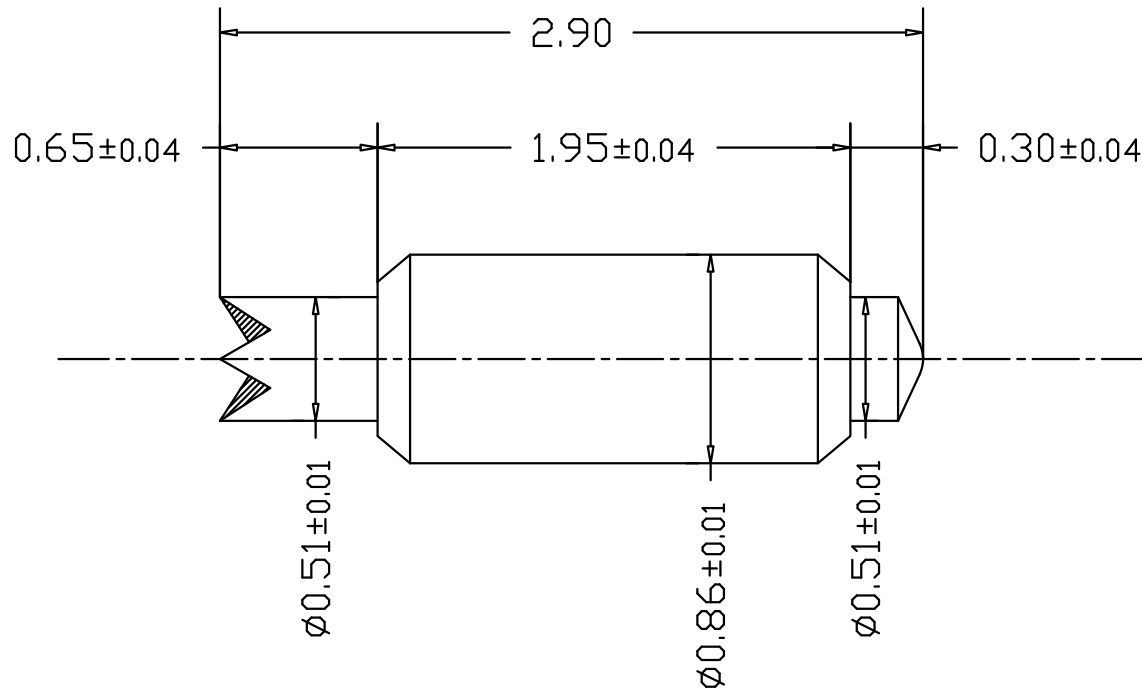


ITEM	PART NO	DESCRIPTION	MATERIAL	PLATING
①	SBY2.9BB-B	BARREL	BS	Au
②	SBY2.9BB-PA-R1	PLUNGER A	SK	Silvaco
③	SBY2.9BB-PB-R1	PLUNGER B	BeCu	HARDENING Au
④	SBY2.9BBH-S	SPRING	For High Temp	Au
MARK	DESCRIPTION OF REVISION		DATE	NAME



(Note)

- 1. Max Stroke 0.53mm (38gf)
- 2. Recommended force : 33gf @0.45mm

DESIGNED	TITLE ASSEMBLY DRAWING		
CHECKED	SIZE A4	DWG NO. SBY2.9BBH	△
APPROVED S.Izumi	SCALE	Link-MicRo' Co.,Ltd..	
DRAWN 2005.10.05			