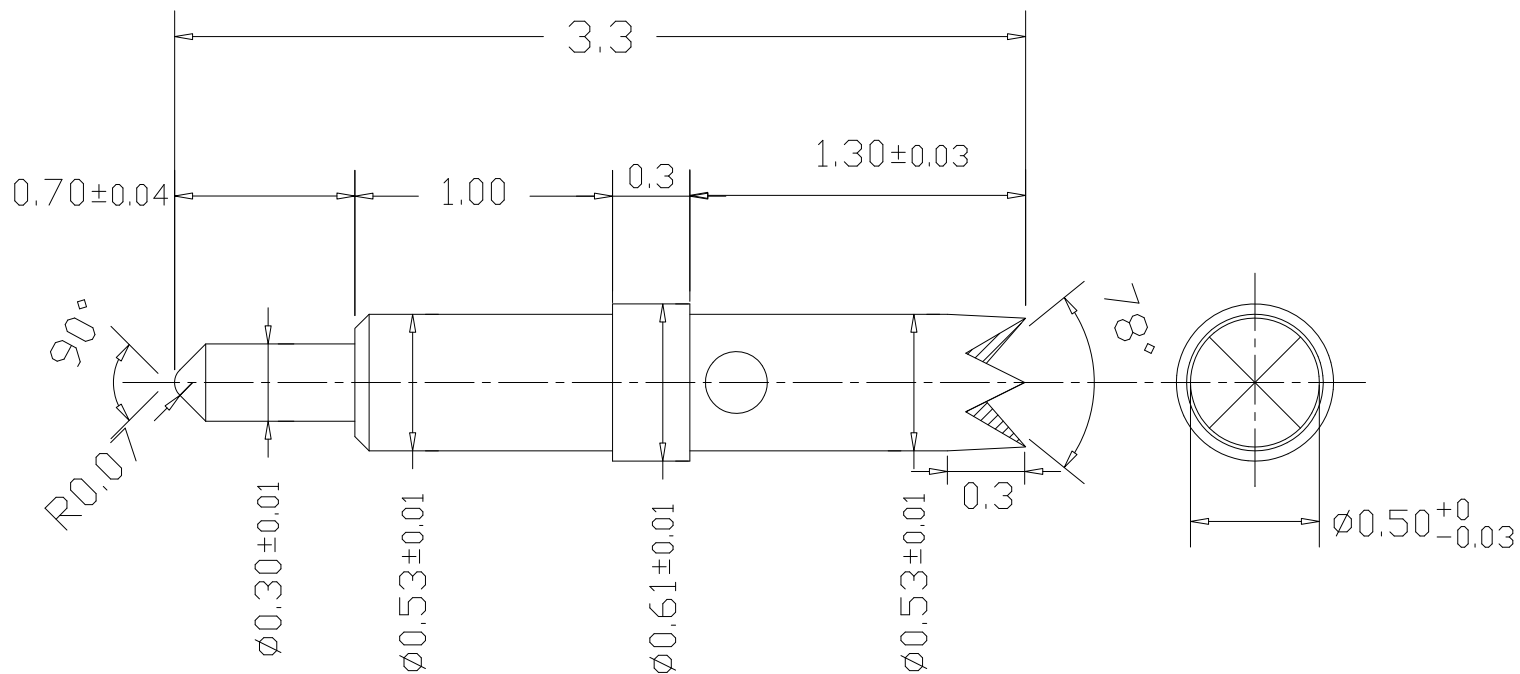


ITEM	PART NO	DESCRIPTION	MATERIAL	PLATING	
①	SBX3.3SAA-PB	PLUNGER B	BeCu	HARDENING Au	
②	SBX3.3SAA-B	BARREL	BeCu	PdCo	
③	SBX3.3SAAH-S	SPRING	SWPH	Au	
MARK	DESCRIPTION OF REVISION			DATE	NAME



(Note)

- Working Travel : 0.4mm. (Full Stroke : 0.5mm)
- Spring force : 35gf @working travel
- Self cleaning crown

DESIGNED Yoshida	TITLE ASSEMBLY DRAWING		
CHECKED	SIZE A4	DWG NO. SBX3.3SAAH	△
APPROVED S.Izumi	SCALE	Link-MicRo' Co.,Ltd..	
DRAWN 2006.06.18			