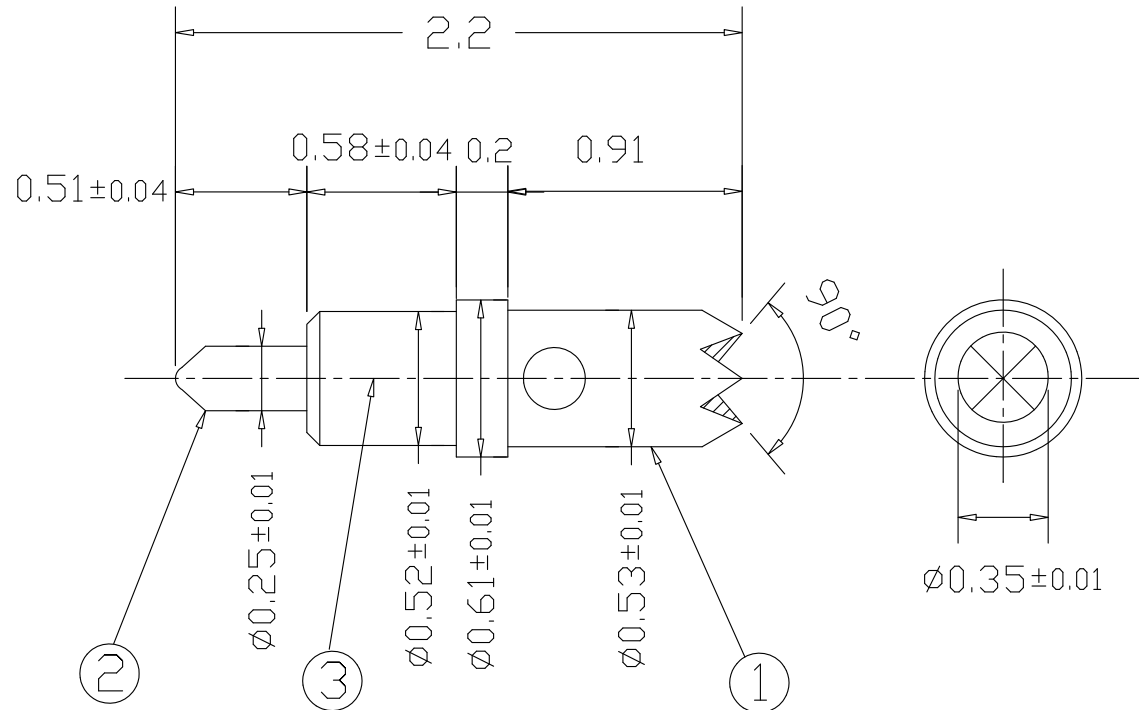


ITEM	PART NO	DESCRIPTION	MATERIAL	PLATING	
①	SBX2.2CE-B	BARREL	BeCu	Au	
②	SBX2.2BE-PA-R1	PLUNGER A	BeCu	Au	
③	SBX2.2BEH-SP-R1	SPRING	SWP H/T	Au	
MARK	DESCRIPTION OF REVISION			DATE	NAME
△					



(Note)

- Working Travel : 0.4mm. (Full Stroke : 0.45mm)
- Spring force : 34gf @working travel

DESIGNED Yoshida	TITLE ASSEMBLY DRAWING		
CHECKED	SIZE A4	DWG NO. SBX2.2CEH	△
APPROVED S.Izumi	SCALE		
DRAWN 2007.06.29	Link-MicRo' Co.,Ltd..		