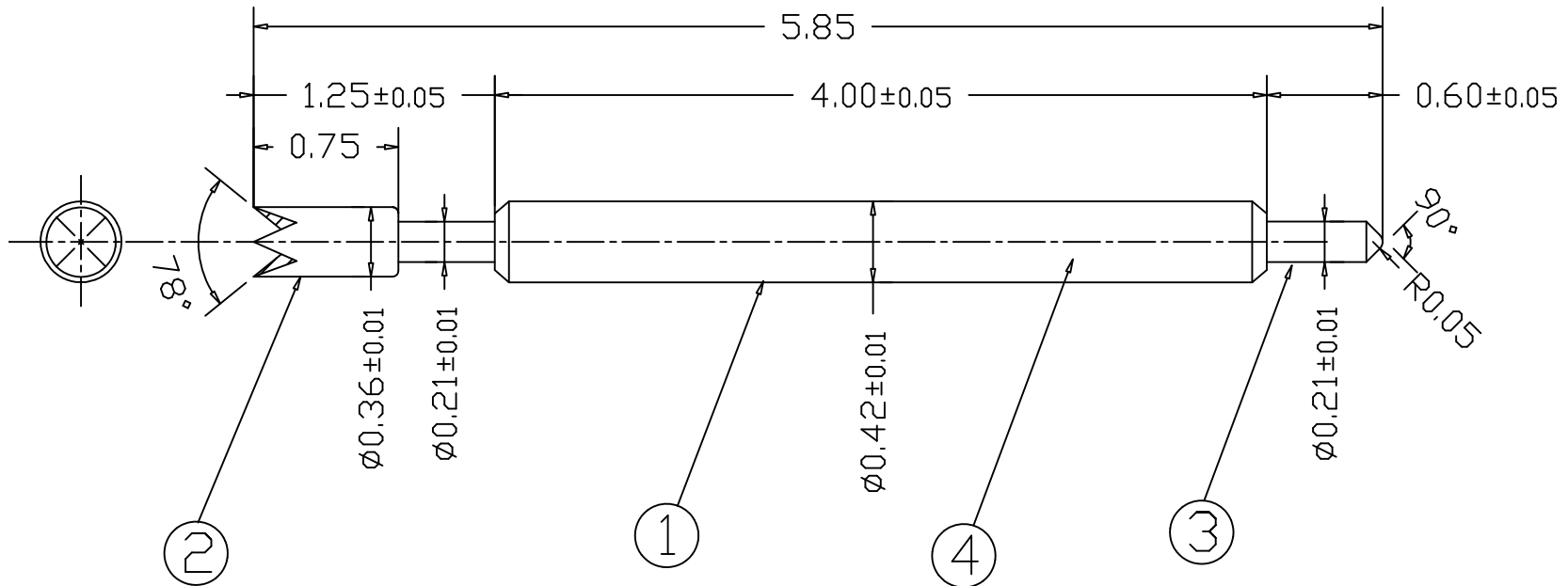


ITEM	PART NO	DESCRIPTION	MATERIAL	PLATING
①	SBW5.85BB-B	BARREL	PBT	Au
②	SBW5.85CC-PA	PLUNGER A	BeCu	Au
③	SBW5.85BB-PB	PLUNGER B	BeCu	Au
④	SBW5.85CCH-S	SPRING	SWP	Au

MARK	DESCRIPTION OF REVISION	DATE	NAME
△			



- (Note)
1. Spring Force : 40gf @ working stroke (0.65mm)
 2. Max Stroke : 0.8mm
 3. Cross Cut Crown
 4. Cutter Angle 60 degree

DESIGNED T.Ohno	TITLE ASSEMBLY DRAWING		
CHECKED	SIZE A4	DWG NO. SBW5.85CCH	△
APPROVED S.IZUMI	SCALE		
DRAWN 2007.02.05	Link-MicRo' Co.,Ltd.		