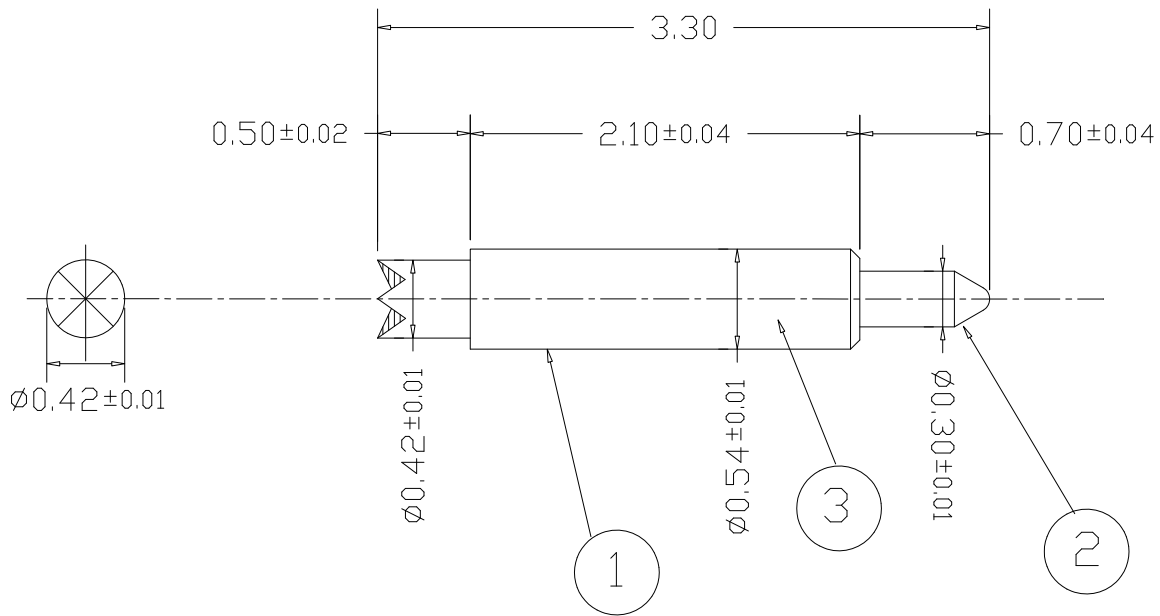


ITEM	PART NO	DESCRIPTION	MATERIAL	PLATING
①	SBW3.3BA-B	BARREL	BS	Au
②	SBW3.3BA-P	PLUNGER	BeCu	HARDENING Au
③	SBW3.3BA-S	SPRING	SWP	Au
④	SBW5.2BA-PC	JIG plunger	SUS	
MARK	DESCRIPTION OF REVISION		DATE	NAME



(Note)

1. Max Stroke 5.5 mm.
2. Recommended Contact force : 23gf at 0.45 mm. stroke
3. Usage available Temp 125 degree C below

AK
BS
QC
PRC
FCT
NGM

DESIGNED YOSHIDA	TITLE ASSEMBLY DRAWING	
CHECKED	SIZE A4	DWG NO. SBW3.3BA
APPROVED S.Izumi	SCALE	<i>Link-MicRo' Co.,Ltd..</i>
DRAWN 2004.04.05		