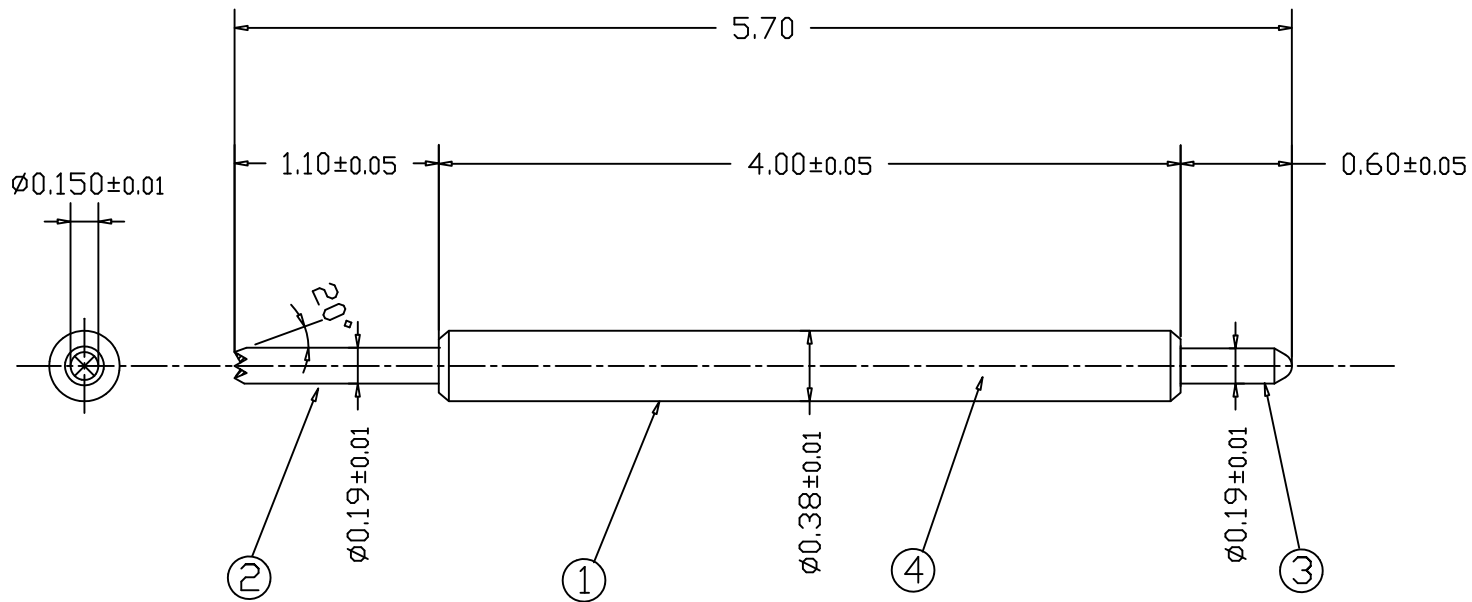


ITEM	PART NO	DESCRIPTION	MATERIAL	PLATING	
①	SBV5.7BB-B	BARREL	PBT	Au	
②	SBV5.7BB-PA	PLUNGER A	SK	Silvaco	
③	SBV5.7BB-PB	PLUNGER B	BeCu	HARDENING Au	
④	SBV5.7BBH-S	SPRING	SWP(For H Temp)	Au	
MARK	DESCRIPTION OF REVISION			DATE	NAME
△					



(Note)

1. Spring force : 34gf±5gf @ 0.74mm working travel
2. Max Travel : 0.85mm (39gf)

DESIGNED	TITLE		
CHECKED	ASSEMBLY DRAWING		
APPROVED	SIZE	DWG NO.	△
IZUMI	A4	SBV5.7BBH	
DRAWN	SCALE	Link-MicRo' CO., LTD.	
2005.08.10			