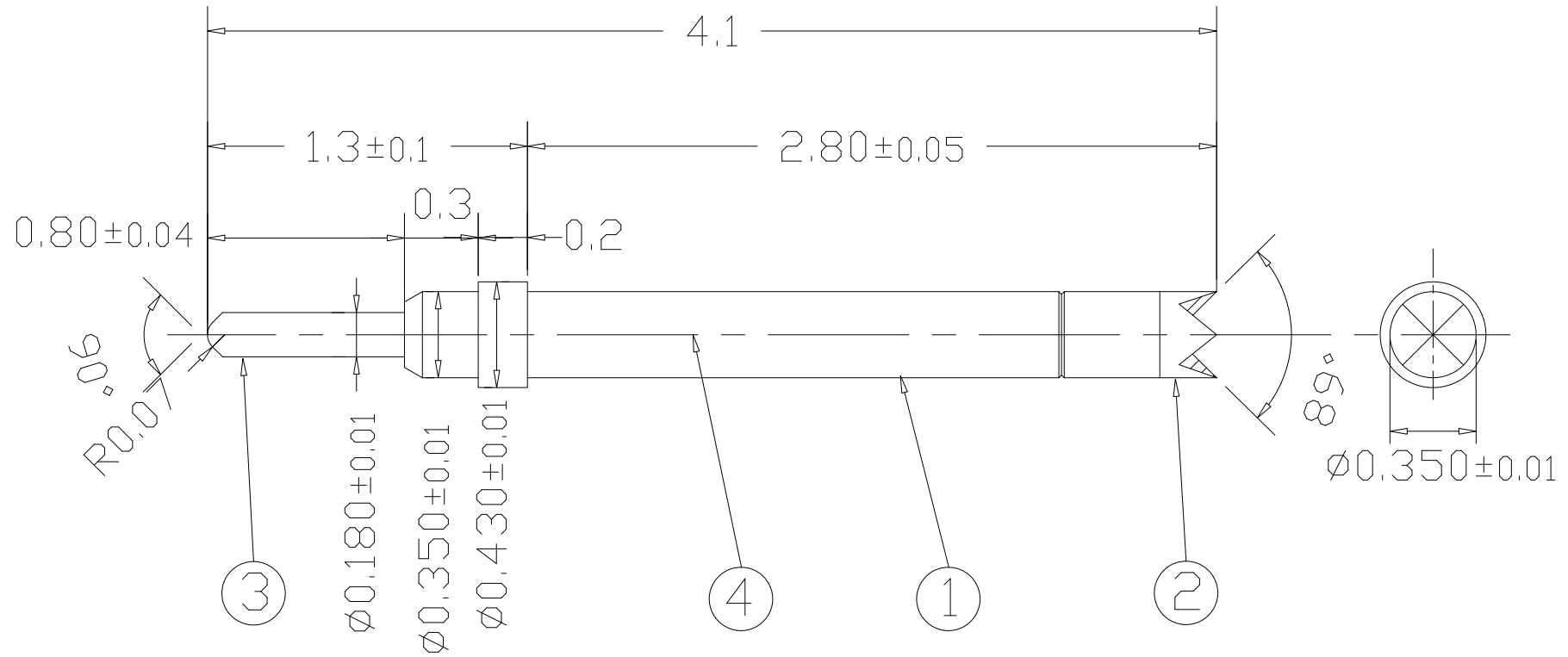


ITEM	PART NO	DESCRIPTION	MATERIAL	PLATING
①	SBV4.1SCC-B	BARREL	PBT	Au
②	SBV4.1SCC-PA	PLUNGER A	SK	PdCo
③	SBV4.1SCC-PB	PLUNGER B	BeCu	Au
④	SBV4.1SCC-SP	SPRING	SWP H/T	Au

MARK	DESCRIPTION OF REVISION	DATE	NAME
△			



(Note)

- Contact force $35gf \pm 20\%$ @ $0.55mm$ (working stroke)
- Max stroke : $0.72mm$

DESIGNED T. Ohno	TITLE Assembly Drawing		
CHECKED	SIZE A4	DWG NO. SBV4.1SCC	△
APPROVED S. Izumi	SCALE	Link-MicRo' Co., Ltd.	
DRAWN 2007.06.27			