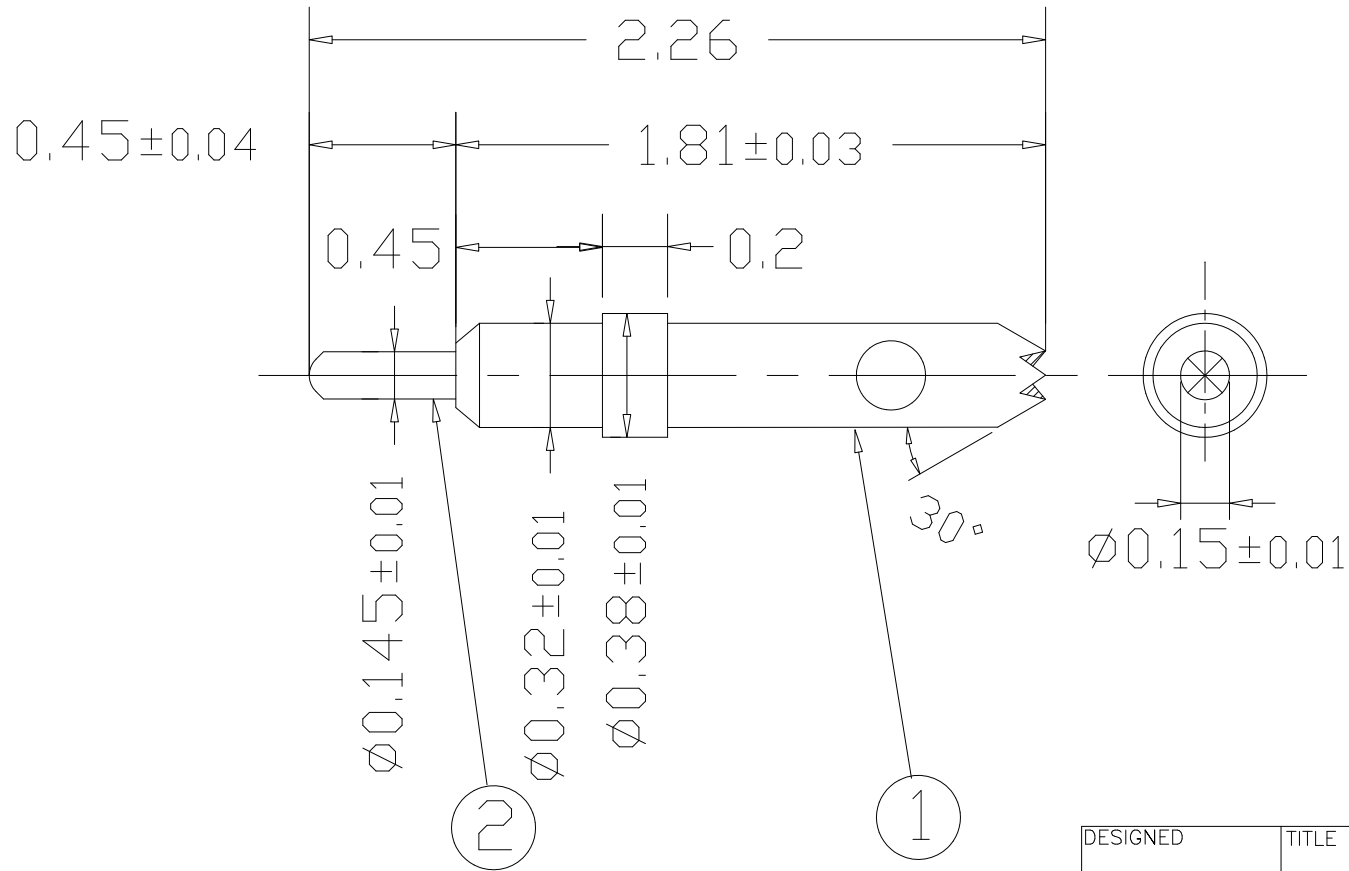


ITEM	PART NO	DESCRIPTION	MATERIAL	PLATING	
①	SBV2.26AB-B	BARREL	BeCu	Silvaco	
②	SBT2.5AA-P	PLUNGER	BeCu	HARDENING Au	
③	SBT2.5AA-S	SPRING	H/T	HARDENING Au	
MARK	DESCRIPTION OF REVISION			DATE	NAME
△					



(Note)

1. Contact force 34gf@0.3mm (working stroke)
2. Max stroke : 0.35mm

DESIGNED	TITLE Assembly Drawing		
CHECKED	SIZE A4	DWG NO. SBV2.26ABH	△
APPROVED S.Izumi	SCALE	Link-MicRo' Co.,Ltd.	
DRAWN 2005.12.07			