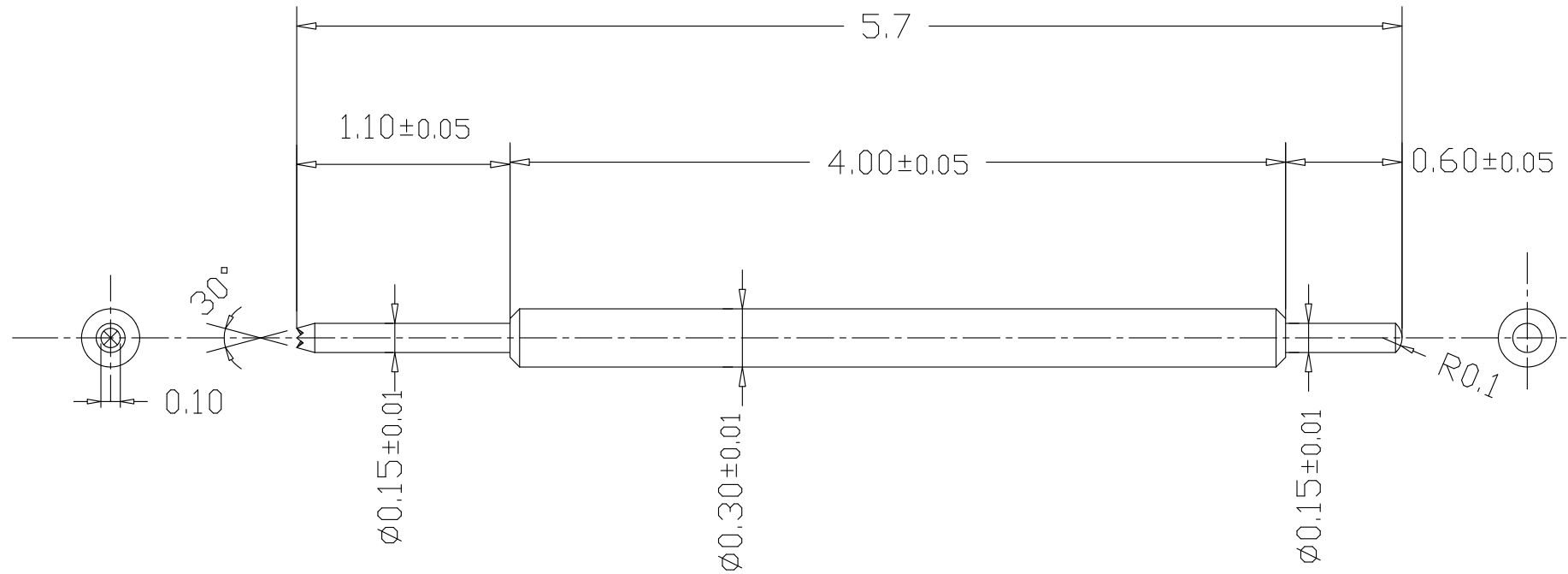


ITEM	PART NO	DESCRIPTION	MATERIAL	PLATING	
①	SBT5.7AA-B	BARREL	PBT	Au	
②	SBT5.7AA-PA	PLUNGER A	SK-4	Silvaco	
③	SBT5.7AA-PB	PLUNGER B	BeCu	HARDENING Au	
④	SBT5.7AAH-SP	SPRING	For HT	Au	
MARK	DESCRIPTION OF REVISION			DATE	NAME
△					



(Note)

1. Full Working Travel : 0.80 mm.
2. Spring force ; 28gf±5gf (@0.65 mm.)

DESIGNED Yoshida	TITLE ASSEMBLY DRAWING		
CHECKED	SIZE A4	DWG NO. SBT5.7AAH	△
APPROVED S.Izumi	SCALE		
DRAWN 2006.03.31	Link-MicRo' Co., Ltd.		