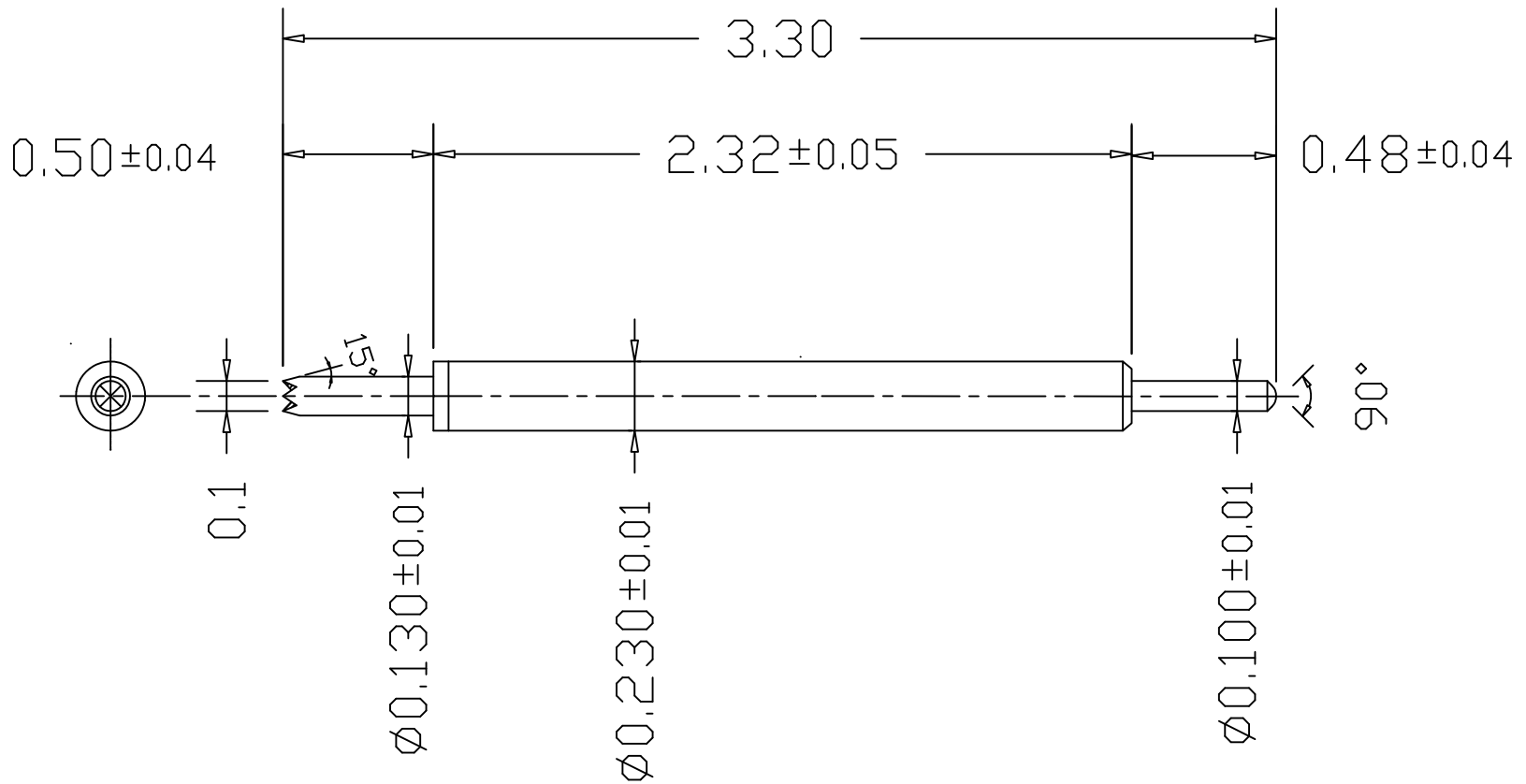


ITEM	PART NO	DESCRIPTION	MATERIAL	PLATING	
①	SBS3.3SAA-B	BARREL	PBT	Au	
②	SBS3.3SAA-PA	PLUNGER A	SK	HARDENING Au	
③	SBS3.3SAA-PB	PLUNGER B	BeCu	HARDENING Au	
④	SBS3.3SAA-S	SPRING	SWP	Au	
MARK	DESCRIPTION OF REVISION			DATE	NAME
△					



(Note)

- Working Travel : 0.3mm (Max 0.35)
- Spring force : 20gf ± 4gf (@working travel)

DESIGNED	TITLE		
CHECKED	ASSEMBLY DRAWING		
APPROVED	SIZE	DWG NO.	△
S.Izumi	A4	SBS3.3SAA	
DRAWN	SCALE	Link-MicRo' CO., LTD.	
2006.04.03			