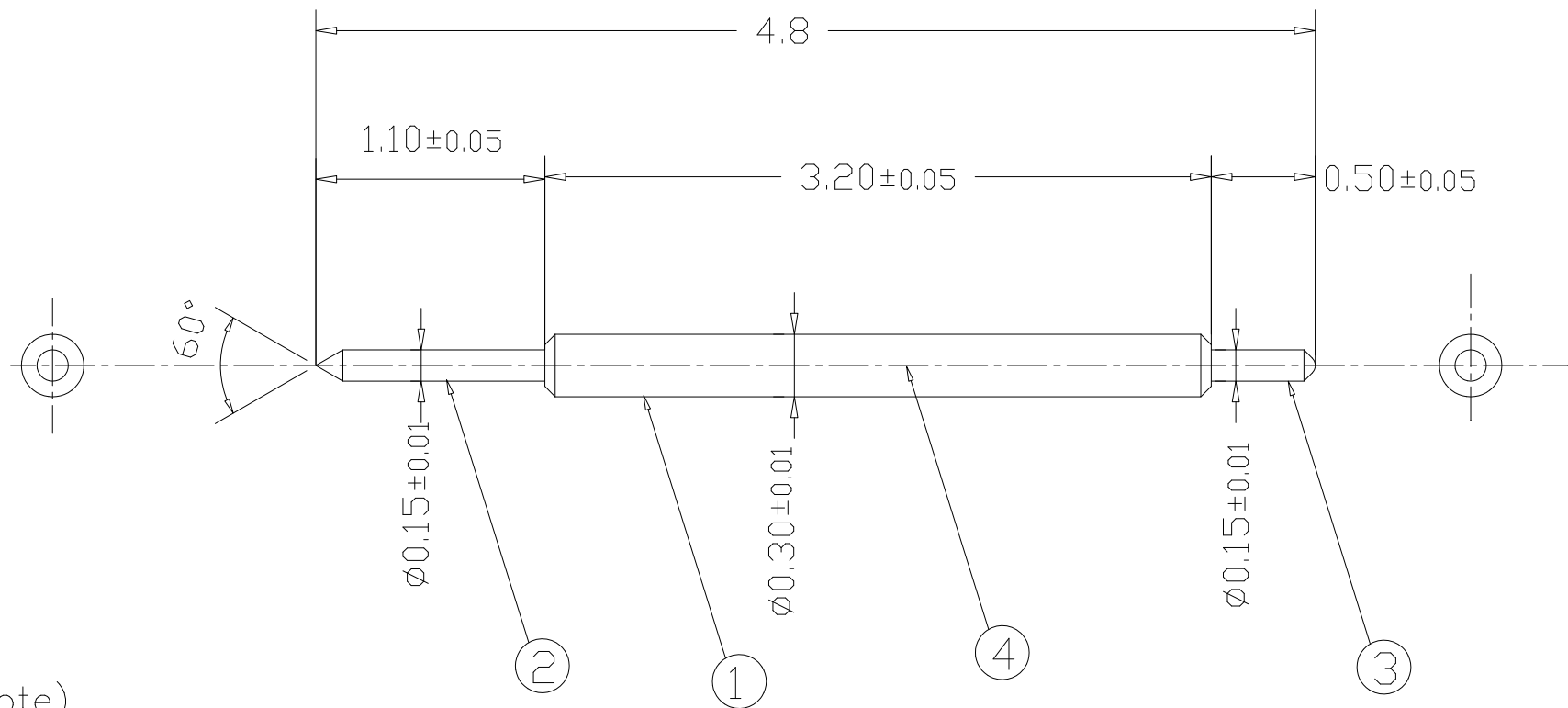


| ITEM | PART NO                 | DESCRIPTION | MATERIAL | PLATING      |      |
|------|-------------------------|-------------|----------|--------------|------|
| ①    | LFT4.8AA-B              | BARREL      | PBT      | Au           |      |
| ②    | LFT4.8AA-PA             | PLUNGER A   | SK-4     | Silvaco      |      |
| ③    | LFT4.8AA-PB             | PLUNGER B   | BeCu     | HARDENING Au |      |
| ④    | LFT4.8AAH-SP            | SPRING      | For HT   | Au           |      |
|      |                         |             |          |              |      |
| MARK | DESCRIPTION OF REVISION |             |          | DATE         | NAME |
| △    |                         |             |          |              |      |



(Note)

1. Full Working Travel : 0.65 mm.
2. Spring force ; 25g. ± 5gf (@0.55 mm.)

|                     |                                |                      |   |
|---------------------|--------------------------------|----------------------|---|
| DESIGNED<br>Yoshida | TITLE<br>ASSEMBLY DRAWING      |                      |   |
| CHECKED             | SIZE<br>A4                     | DWG NO.<br>LFT4.8AAH | △ |
| APPROVED<br>S.Izumi | SCALE<br>Link-MicRo' Co., Ltd. |                      |   |
| DRAWN<br>2005.09.07 |                                |                      |   |